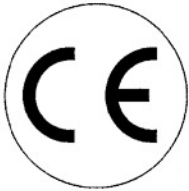




80.16

Use, maintenance and spare parts manual



cod. 1146000

Manufactured 2011




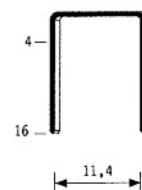
Technical Data

Usable lengths mm	4 ÷ 16
Magazine capacity No. of fasteners	145
Working pressure	4 ÷ 6 bar 60 ÷ 90 psi
Air consumption litres/shot	0,13
Weight kg	0,90
Dimensions mm	216x43x152
Sound pressure at the workstation	84,3 dB(A)
Emitted sound power	93,7 dB(A)
Weighted mean value of vibration	<2,5 m/s²

Type of Fastener

80

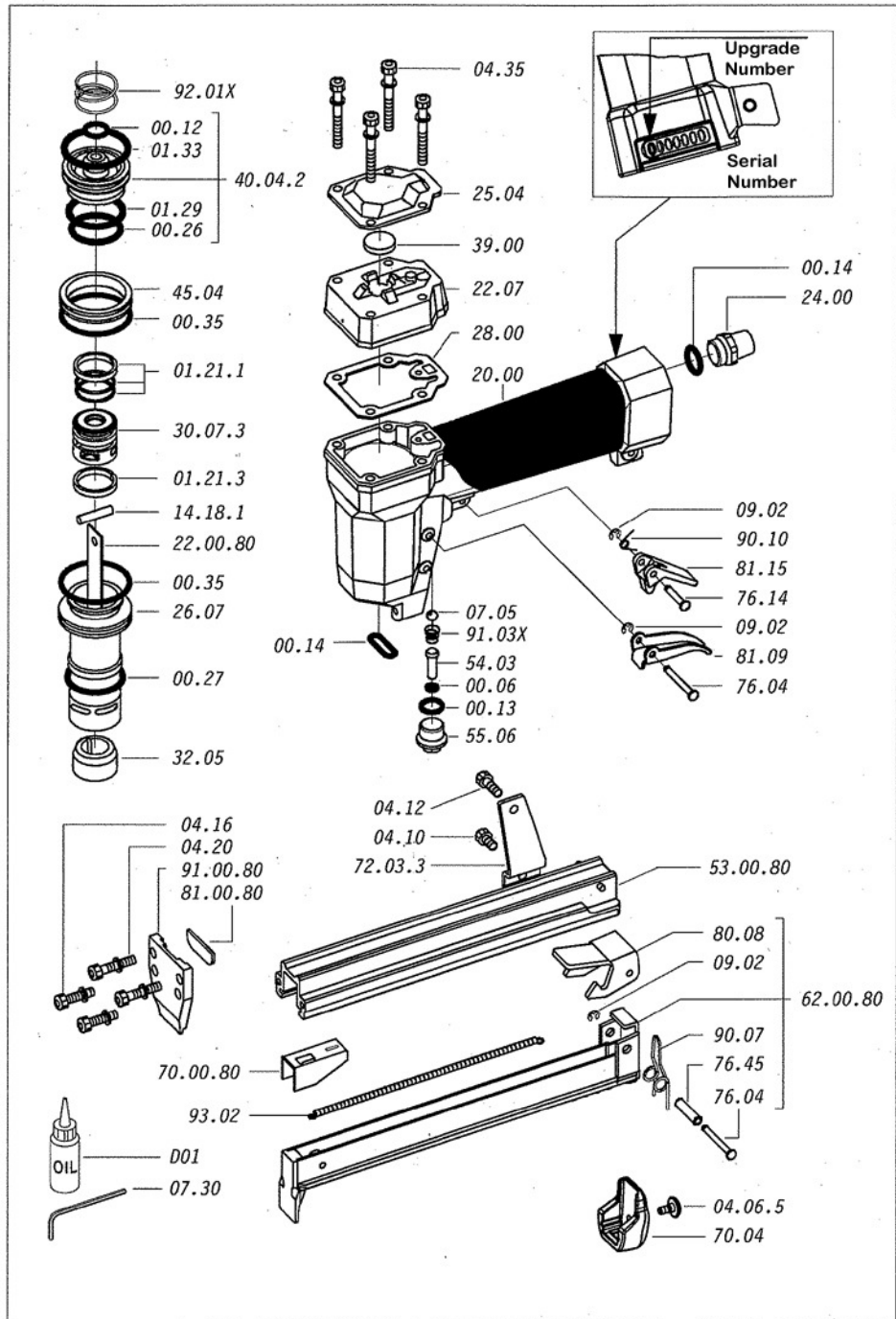
 0,65x0,95



Crown: 12.7mm
Thickness: .635mm
Width: .94mm
Gauge: 21

Spare Parts

Cod.	Description
00.06	O-Ring
00.12	O-Ring
00.13	O-Ring
00.14	O-Ring
00.26	O-Ring
00.27	O-Ring
00.35	O-Ring
01.21.1	Gasket
01.21.3	Gasket
01.29	O-Ring
01.33	O-Ring
04.10	Screw
04.06.5	Screw
04.12	Screw
04.16	Screw
04.20	Screw
04.35	Screw
07.05	Ball
07.30	Hex. bar wrench
09.02	Elastic ring
14.18.1	Pin
20.00	Body
22.07	Head
24.00	Silencer
25.04	Exhaust deflector
26.07	Cylinder
28.00	Gasket
30.07.3	Piston
32.05	Bumper
39.00	Exhaust gasket
40.04.2	Valve ass'y
45.04	Ring
54.03	Trigger valve
55.06	Bush
70.04	Guard
72.03.3	Support
76.04	Pin
76.14	Pin
76.45	Pin
80.08	Trigger
81.09	Trigger
81.15	Safety
90.07	Spring
90.10	Spring
91.03X	Spring
92.01X	Spring
93.02	Spring
22.00.80	Driver
53.00.80	Magazine
62.00.80	Slider
70.00.80	Pusher
81.00.80	Nose
91.00.80	Nose plate
D01	Oiler



Joints Kit - O Rings

